



*Tidal Sinks Plus Ltd. - P.O. Box 10029 - Winona - Ontario - L8E 5R1*

**Model: TDL8010-D**

### Sink Specifications

**Description:** Single Bowl Sink- Ledge Back

**Outside Dimensions:** 20" x 20 1/2" x 8"

**Material:** 304- 18/8 Stainless Steel

**Mounting Option:** Drop In (clips included)

**Finish:** Mirrored Top/ Satin Bowl

**Thickness:** 20 Gauge

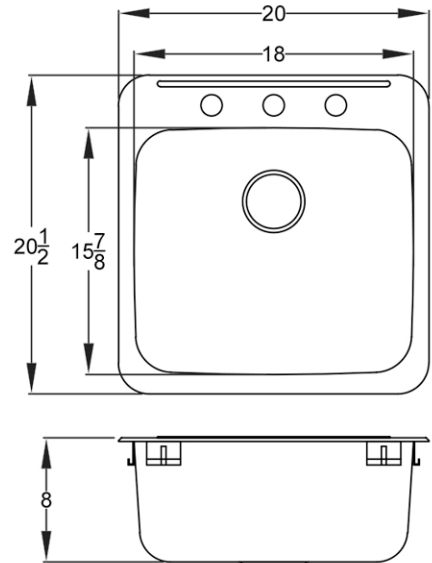
**Sound Proofing:** Sound Pads & Undercoating

**Warranty:** Limited Lifetime

**Drain Size:** Standard 3 5/8"

**Certification:** CUPC (Canada)

**Cabinet Size:** 22" or Larger



Tidal Sinks Plus Ltd is a 100% Canadian owned company, based in southern Ontario.

Our goal is to provide quality sinks that compliment your everyday lifestyle.

Customer service and satisfaction is our top priority.

We have a number of models to choose from - please visit our website to view our full offering.

Included accessories:

Standard Drain: TDL9005



Optional accessories:

Deluxe Drain: TDL9000



Certification:



For more information on this model, or any other Tidal product, please visit our website [www.tidalsinks.com](http://www.tidalsinks.com) or contact your local retailer for details.

Note that the drawings, templates and .dxf files provided here and on the website are intended to be used as a guide for cutout purposes - please ensure that all sinks are measured and confirmed prior to cutting / installation. Due to manufacturing machinery and/or hand made items, Tidal Sinks Plus Ltd. cannot be held responsible for differences in sink measurements.

*The Right Sink*