

# Model: TDL3180

**Description:** Handmade Sink – Apron Large  
Single Bowl 15mm Radius

**Material/Gauge:** 304 – 18/8 Stainless Steel, 16  
Gauge

**Mounting Option:** Apron Mount

**Suggested Cabinet Size:** 35" or Larger

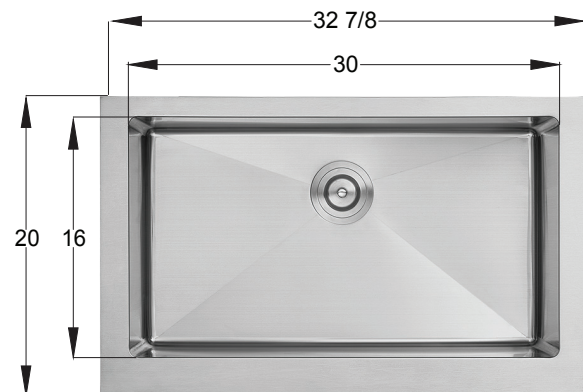
**Outside Sink Dimensions:** 32 7/8" x 20" x 10"

**Accessories Included:** Deluxe Drain Model  
TDL9000

**Optional Accessories:** Grid Model TDL2198-0,  
Standard Drain Model TDL9005

**Available as a Package:** Yes, Model TDL3180-  
PKG

**Accessories Included in the Package:** Bottom  
Grid & Deluxe Drain



## NOTES:

- Sink sizes can vary up to 1/8 of an inch. All sink cutouts should be verified with the sink upon purchase.
- Cabinet sizes are typically listed as outside dimensions, but modifications / supports may be required for apron sink installation. Please consult your cabinet maker and/or contractor for more details.
- Please refer to our warranty, guide to care and maintenance and installation sections of this catalogue for more information on all of our products and services.
- We encourage you to visit our website for links to our sink specifications and/or DXF files.