

Model: TDL3150

Description: Handmade Sink – Apron Double Bowl 50/50 15mm Radius

Material/Gauge: 304 – 18/8 Stainless Steel, 16 Gauge

Mounting Option: Apron Mount

Suggested Cabinet Size: 35" or Larger

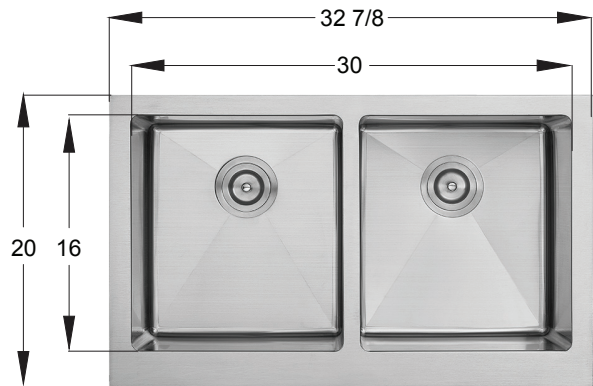
Outside Sink Dimensions: 32 7/8" x 20" x 10"

Accessories Included: Deluxe Drains Model TDL9000

Optional Accessories: Grid Model TDL2195-SET, Standard Drain Model TDL9005

Available as a Package: Yes, Model TDL3150-PKG

Accessories Included in the Package: Bottom Grids & Deluxe Drains



NOTES:

- Sink sizes can vary up to 1/8 of an inch. All sink cutouts should be verified with the sink upon purchase.
- Cabinet sizes are typically listed as outside dimensions, but modifications / supports may be required for apron sink installation. Please consult your cabinet maker and/or contractor for more details.
- Please refer to our warranty, guide to care and maintenance and installation sections of this catalogue for more information on all of our products and services.
- We encourage you to visit our website for links to our sink specifications and/or DXF files.