

Model: TDL2080

Description: Handmade Sink – Large Single Bowl Zero Radius

Material/Gauge: 304 – 18/8 Stainless Steel, 16 Gauge

Mounting Option: Under Mount (clips included)

Suggested Cabinet Size: 34" or Larger

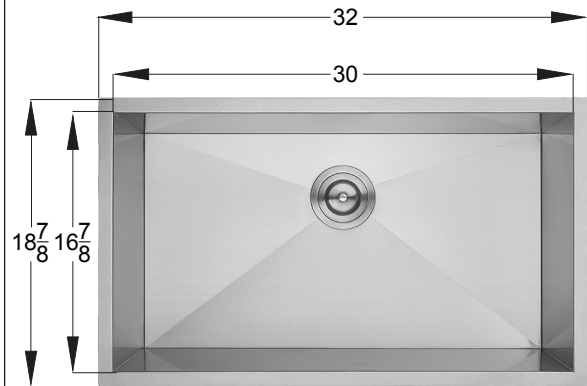
Outside Sink Dimensions: 32" x 18 7/8" x 10"

Accessories Included: Deluxe Drain Model TDL9000

Optional Accessories: Grid Model TDL2098-0, Standard Drain Model TDL9005

Available as a Package: Yes, Model TDL2080-PKG

Accessories Included in the Package: Bottom Grid & Deluxe Drain



NOTES:

- Sink sizes can vary up to 1/8 of an inch. All sink cutouts should be verified with the sink upon purchase.
- Cabinet sizes are typically listed as outside dimensions, therefore approximately 1 1/2" (3/4" on each side) should be removed when considering sink options.
- Please refer to our warranty, guide to care and maintenance and installation sections of this catalogue for more information on all of our products and services.
- We encourage you to visit our website for links to our sink specifications and/or DXF files.